

FocalPoint Software Certified with PartSmart[®]

Visum is proud to announce our certified integration with PartSmart. For our valued customers who use or wish to purchase PartSmart, the interaction between PartSmart and FocalPoint will allow you to open PartSmart directly from FocalPoint and take advantage of many integration features now available.



View Part Information - PartSmart will query FocalPoint and FocalPoint will provide parts information based on queries. Queried items that are not found in FocalPoint are automatically added to FocalPoint's Non-Stock file at time of query.



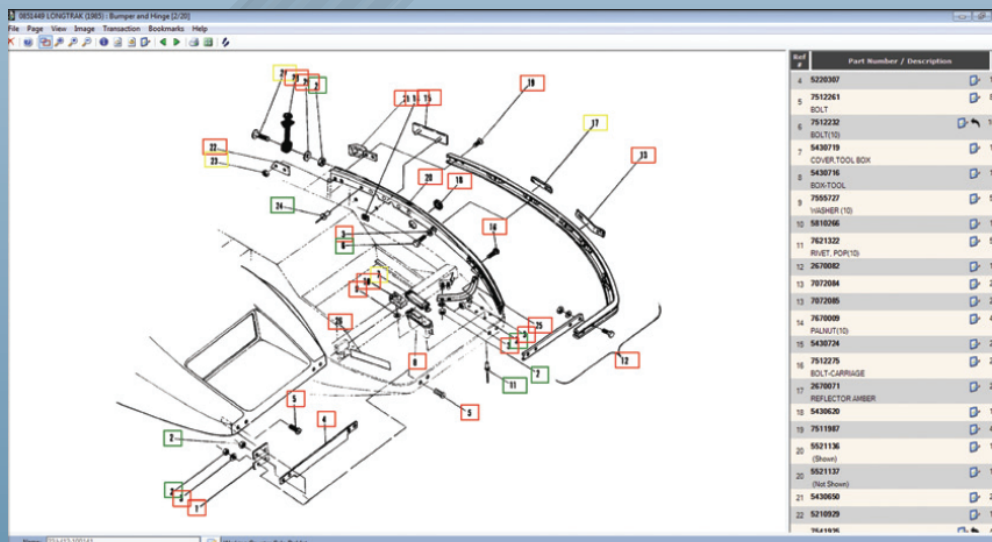
Transfer PartSmart "picklists" to an active FocalPoint order or work order at your convenience. PartSmart picklists can be recalled at any time. As parts from picklists are added to an order they are removed from the PartSmart picklist.



As PartSmart picklists are added to FocalPoint orders, any FocalPoint Non-Stock items will automatically be converted to active merchandise items in FocalPoint. If there is not enough quantity in the store you have an option to create a new Purchase Order or add to an existing open Purchase Order.



PartSmart's colorization of quantity and bin locations are fully supported in FocalPoint.



Please call Visum for pricing and additional technical information. Customer must license their store with PartSmart software which is not included with this FocalPoint feature.



901 159th Avenue N.E.
 Ham Lake, MN 55304
 763.244.8050
 E-mail: sales@visum-corp.com
 Web: www.Visum-Corp.com

MAXIMUM profits.
 MINIMUM effort.
FOCUS.